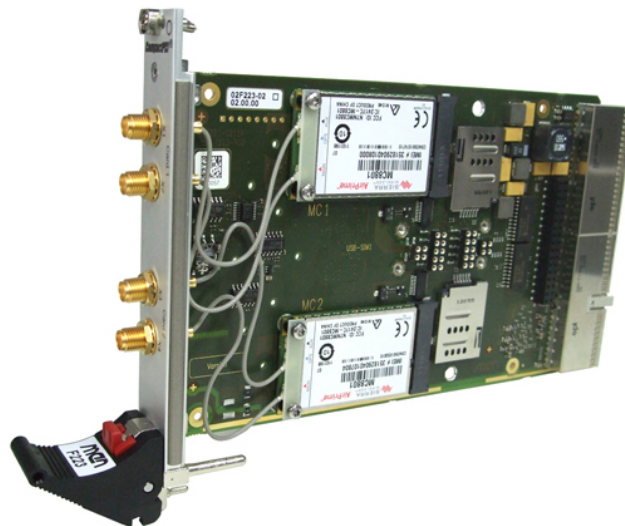


F223 – 3U CompactPCI® PCIe® Mini Card Carrier for Wireless Functions

- 2 PCI Express® Mini Cards (full-/half-size)
- For wireless applications (WLAN/WAP, UMTS, GPS, GSM, HSDPA, LTE)
- 2 or 3 external antennas per module (reverse SMA)
- Up to 18 SIM card slots
- For cards with internal PCI Express® and USB interface
- -40 to +85°C screened, conformal coating
- 4 HP 32-bit/33-MHz CompactPCI®



The F223 is a rugged single Eurocard CompactPCI® carrier board supporting the PCI Express® Mini Card standard.

The standard version of the F223 offers two PCI Express® Mini Card slots with USB and PCI Express® connection. It allows to use all types of cards for wireless applications making it possible to extend the functionality of a CompactPCI® system in the same fast and easy way as a common notebook.

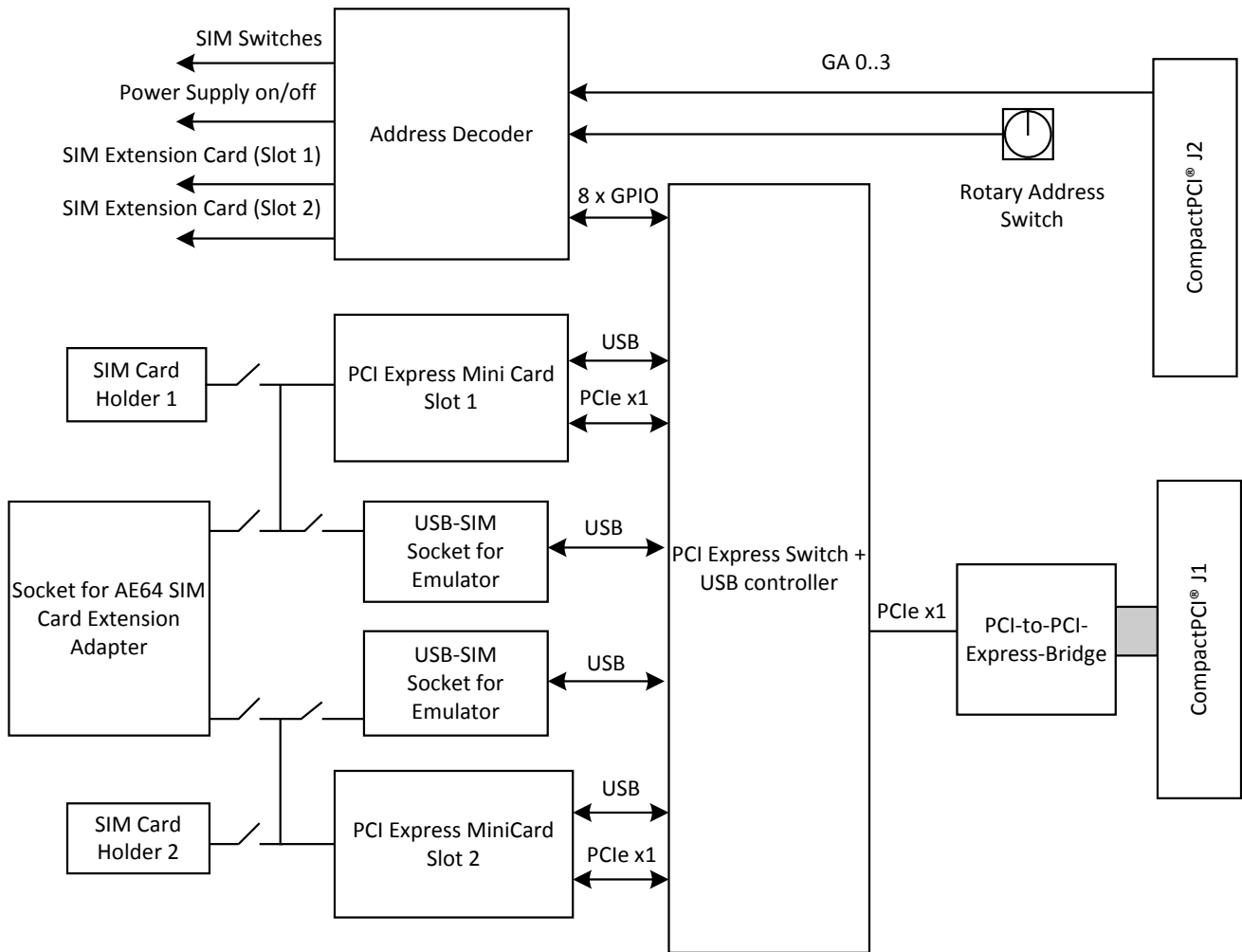
Each PCI Express® Mini Card is connected to two or three robust redundant external SMA antenna connectors at the front panel of the F223. It is possible

to reset and power on and off the two PCI Express® Mini Cards separately without having to reset the whole system.

Using a plug-on adapter board as much as eight additional SIM cards per PCI Express® card can be implemented. Even with the adapter assembled the board still only needs a width of 4HP. Another option is to equip the board with a USB-SIM emulator for controlling SIM cards on a central server.

The F223 is designed for -40 to +85°C operating temperature using qualified components and conformally coated in order to be used also in harsh and mobile environments. The final environmental qualification depends on the respective cards used on the carrier.

Diagram



Technical Data

Card Interfaces	<ul style="list-style-type: none"> ■ For two PCI Express® Mini Cards <ul style="list-style-type: none"> □ With two SIM card holders (one for each PCI Express® Mini Card) ■ PCI Express® and USB interface ■ Individual reset and power on/off for each PCI Express® Mini Card <ul style="list-style-type: none"> □ Via GPIO lines of the PCI Express®/USB controller ■ Up to 16 additional SIM cards on a special adapter board ■ USB-SIM socket for SIM emulator ■ Please note that MEN does not offer SIM cards or mobile telephony contracts!
Front Connections	<ul style="list-style-type: none"> ■ Up to six Reverse SMA antenna connectors (front panel available as an accessory)
CompactPCI® Bus	<ul style="list-style-type: none"> ■ Compliance with CompactPCI® Core Specification PICMG 2.0 R3.0 ■ Peripheral slot ■ 32-bit/33-MHz PCI-to-PCI Express® bridge ■ V(I/O): +3.3V (+5V tolerant) ■ J2 connector with geographical addressing for distinguishing boards in a system with several boards
Electrical Specifications	<ul style="list-style-type: none"> ■ Supply voltage/power consumption: <ul style="list-style-type: none"> □ +5V (-3%/+5%), depending on plugged card, 1.1 A without PCI Express® Mini Cards □ +3.3V and 1.5V supply voltage for cards generated onboard
Mechanical Specifications	<ul style="list-style-type: none"> ■ Dimensions: conforming to CompactPCI® specification for 3U boards ■ Front panel: 4HP front panel with four SMA connectors available as an accessory ■ Weight: <ul style="list-style-type: none"> □ 198 g (with front panel and PCI Express® Mini cards) □ 104 g (without front panel and PCI Express® Mini cards)
Environmental Specifications	<ul style="list-style-type: none"> ■ Temperature range (operation): <ul style="list-style-type: none"> □ -40..+85°C (screened, only carrier, depending on configuration) □ Airflow: min. 1.0 m/s ■ Temperature range (storage): -40..+85°C ■ Relative humidity (operation): max. 95% non-condensing ■ Relative humidity (storage): max. 95% non-condensing ■ Altitude: -300 m to + 3,000 m ■ Shock: 50 m/s², 30 ms (EN 61373) ■ Vibration (function): 1 m/s², 5 Hz - 150 Hz (EN 61373) ■ Vibration (lifetime): 7.9 m/s², 5 Hz - 150 Hz (EN 61373) ■ Conformal coating
MTBF	<ul style="list-style-type: none"> ■ 1,224,236 h @ 40°C according to IEC/TR 62380 (RDF 2000)
Safety	<ul style="list-style-type: none"> ■ Flammability <ul style="list-style-type: none"> □ PCB manufactured with a flammability rating of 94V-0 by UL recognized manufacturers ■ Electrical Safety <ul style="list-style-type: none"> □ Insulation measurement test according to EN 50155 (12.2.9.1) (railway) □ Voltage withstand test according to EN 50155 (12.2.9.2) (railway) □ Information technology equipment test according to EN 60950 (information technology equipment) □ Voltage withstand test according to EN 50124-1 (Annex B) (signal- and telecommunication equipment)
EMC Conformity	<ul style="list-style-type: none"> ■ EN 55022 (radio and conducted disturbance) ■ IEC 61000-4-2 (ESD) ■ IEC 61000-4-3 (electromagnetic field immunity) ■ IEC 61000-4-4 (burst) ■ IEC 61000-4-5 (surge) ■ IEC 61000-4-6 (conducted disturbances)
Software Support	<ul style="list-style-type: none"> ■ MEN Driver Interface System (MDIS for all supported operating systems)

Configuration & Options

Standard Configurations

Article No.	Card Slots	Front Panel	USB Audio	Operating Temperature
02F223-00	2 PCIe MiniCards	4 SMA connectors	no	-40..+85°C

Options

Card Slots	<ul style="list-style-type: none"> ■ Up to 22 SIM card holders (eleven for each PCI Express® Mini Card) ■ I2S interface for audio signals (via digital audio I/O streamer) <ul style="list-style-type: none"> □ I2S interface only with special non-standard PCI Express® Mini Card ■ USB-SIM emulator ■ For two PCI Express® Full-Mini or Half-Mini Cards (dual-use sockets)
Front Panel	<ul style="list-style-type: none"> ■ Two or three antennas per PCI Express® Mini Card ■ QMA instead of SMA antenna connectors
Cooling Concept	<ul style="list-style-type: none"> ■ Also available with conduction cooling in MEN CCA frame

Please note that some of these options may only be available for large volumes. Please ask our sales staff for more information.

Ordering Information

Standard F223 Models	02F223-00	2 PCI Express® MiniCard slots (USB and PCI Express® support), 2 SIM card holders, SIM expansion socket, -40..+85°C screened (carrier only), conformal coating (front panel to be ordered separately)
PCI Express® Mini Cards	15PX01-00	GLONASS & GPS PCI Express® MiniCard (full size), 3-axis Gyro sensor, -40..+85°C with qualified components
Miscellaneous Accessories	0714-0015	Front panel, 4HP, with 4 SMA reverse connectors, -40..+85°C screened
	0714-0016	Front panel, 4HP, with 6 SMA reverse connectors, -40..+85°C screened
	0714-0017	Front panel 4HP, with 4x QMA reverse connectors, -40..+85°C
	08AE64-00	SIM card expansion board with 2x 8 SIM card slots, -40..+85° screened, conformal coating
Software: Linux	This product is designed to work under Linux. See below for all available separate software packages.	
	13MD05-90	MDISS System (and Device Driver) Package (MEN) for Linux. This software package includes most standard device drivers available from MEN.
Software: Windows®	This product is designed to work under Windows®. See below for all available separate software packages.	
	13P7C9-70	MDISS Windows® driver (MEN) for F223

For operating systems not mentioned here [contact MEN sales](#).

Documentation	Compare Chart 3U CompactPCI® / PlusIO CPU cards » Download	
	Compare Chart 3U CompactPCI® / PlusIO peripheral cards » Download	
	20F223-00	F223 User Manual

Contact Information

Germany

MEN Mikro Elektronik GmbH
Neuwieder Straße 3-7
90411 Nuremberg
Phone +49-911-99 33 5-0
Fax +49-911-99 33 5-901

info@men.de
www.men.de

France

MEN Mikro Elektronik SAS
18, rue René Cassin
ZA de la Châtelaine
74240 Gaillard
Phone +33 (0) 450-955-312
Fax +33 (0) 450-955-211

info@men-france.fr
www.men-france.fr

USA

MEN Micro Inc.
860 Penllyn Blue Bell Pike
Blue Bell, PA 19422
Phone (215) 542-9575
Fax (215) 542-9577

sales@menmicro.com
www.menmicro.com

The date of issue stated in this data sheet refers to the Technical Data only. Changes in ordering information given herein do not affect the date of issue. All brand or product names are trademarks or registered trademarks of their respective holders.

MEN is not responsible for the results of any actions taken on the basis of information in the publication, nor for any error in or omission from the publication.

MEN expressly disclaims all and any liability and responsibility to any person, whether a reader of the publication or not, in respect of anything, and of the consequences of anything, done or omitted to be done by any such person in reliance, whether wholly or partially, on the whole or any part of the contents of the publication.

The correct function of MEN products in mission-critical and life-critical applications is limited to the environmental specification given for each product in the technical user manual. The correct function of MEN products under extended environmental conditions is limited to the individual requirement specification and subsequent validation documents for each product for the applicable use case and has to be agreed upon in writing by MEN and the customer. Should the customer purchase or use MEN products for any unintended or unauthorized application, the customer shall indemnify and hold MEN and its officers, employees, subsidiaries, affiliates, and distributors harmless against all claims, costs, damages, and expenses, and reasonable attorney fees arising out of, directly or indirectly, any claim or personal injury or death associated with such unintended or unauthorized use, even if such claim alleges that MEN was negligent regarding the design or manufacture of the part.

In no case is MEN liable for the correct function of the technical installation where MEN products are a part of.

Copyright © 2015 MEN Mikro Elektronik GmbH. All rights reserved.