

F19P - 3U CompactPCI® PlusIO Intel® Core™ 2 Duo SBC



- Intel® Core™ 2 Duo SP9300, 2.26 GHz
- Dual-core 64-bit processor
- 4 HP system master or stand-alone
- 32-bit CompactPCI® and PICMG 2.30 PlusIO
- Up to 4 (8) GB DDR3 DRAM soldered
- CompactFlash® and microSD™ card slots
- Standard front I/O: VGA, 2 Gb Ethernet, 2 USB
- Standard rear I/O: 4 PCIe®, 4 USB, 4 SATA, 1 Gb Ethernet
- Other I/O (onboard, side card): SATA, SDVO, HD audio, USB, UART etc.
- Board controller
- -40 to +85°C screened version

The F19P versatile 4HP/3U single-board computer is a continuation of MEN's proven range of Intel® CPU boards.

It is equipped with the Intel® high-performance Core 2 Duo processor SP9300 running at 2.26 GHz and offering the latest multi-core processor architecture from Intel® with full 64-bit support. The board delivers an excellent graphics performance and is designed especially for embedded systems which require high computing performance with low power consumption. The F19P offers a 32-bit/33-MHz CompactPCI® bus interface and can also be used without a bus system. It offers 4 USB 2.0 and 4 fast (3Gb/s) SATA interfaces as well as 4 PCI Express® x1 links and one Gigabit Ethernet on the J2 rear I/O connector which is compatible with the PICMG 2.30 CompactPCI® PlusIO specification.

A total of seven PCI Express® lanes for high-speed communication (such as Gigabit Ethernet) are supported on the F19P. 3 x1 PCIe® links are used for the three onboard Ethernet interfaces. 4 x1 or 1 x4 PCIe® links are available via rear I/O or on a specific side card. The F19P is equipped with a state-of-the-art fast DDR3 DRAM which is soldered to the F19P to guarantee optimum shock and vibration resistance. A robust CompactFlash® and microSD™ card device which are connected via a USB interface offer nearly unlimited space for user applications.

The standard I/O available at the front panel of F19P includes graphics on a VGA connector, two PCIe®-driven

Gigabit Ethernet as well as two USB 2.0 ports.

The F19P can be extended by different side cards. Additional functions include two digital video inputs for flat panel connection via DVI (multimedia), a variety of different UARTs or another four USBs, SATA for hard disk connection and HD audio.

Thermal supervision of the processor and a watchdog for the operating system complete the functionality of the F19P.

The F19P operates in Windows® and Linux environments as well as under real-time operating systems that support Intel®'s multi-core architecture. The InsydeH2O™ EFI BIOS was specially designed for embedded system applications.

Equipped with Intel® components exclusively from the Intel® Embedded Line, the F19P has a guaranteed minimum standard availability of 7 years.

The F19P is suited for a wide range of industrial applications, e.g. for monitoring, vision and control systems as well as test and measurement. Main target markets comprise industrial automation, multimedia, traffic and transportation, aerospace, shipbuilding, medical engineering and robotics.

The F19P comes with a tailored passive heat sink within 4 HP height. Regardless, forced air cooling is always required inside the system. The robust design of the F19P make the board especially suited for use in rugged environments with regard to shock and vibration according to applicable DIN, EN or IEC industry standards. The F19P is also ready for coating so that it can be used in humid and dusty environments.

Technical Data

CPU

- Intel® Core™ 2 Duo SP9300
 - Up to 2.26GHz processor core frequency
 - 1066MHz system bus frequency
- Chipset
 - Northbridge: Intel® GS45
 - Southbridge: Intel® ICH9M-SFF

Memory

- Up to 6MB L2 cache integrated in Core 2 Duo
- Up to 4GB DDR3 SDRAM system memory (8GB when components available)
 - Soldered
 - 800/1067MHz memory bus frequency locked to the FSB frequency
- 16Mbits boot Flash
- Serial EEPROM 2kbits for factory settings
- CompactFlash® card interface
 - Via USB
 - Type I
 - True IDE
 - DMA support
- MicroSD card interface
 - Via USB

Mass Storage

- CompactFlash®
 - Connected via USB
- MicroSD card
 - Connected via USB
- Serial ATA (SATA)
 - Four channels via rear I/O, one channel via side-card connector (switchable)
 - Transfer rates up to 3Gbit/s
 - RAID level 0/1/5/10 support

Graphics

- Integrated in GS45 chipset
 - Up to 533 MHz graphics core
 - Maximum resolution: 2048 x 1536 pixels
- VGA connector at front panel
- Two SDVO ports available via side-card connector
 - Two additional DVI connectors at front panel optional via side card
 - Simultaneous connection of two monitors

I/O

- USB
 - Two USB 2.0 ports via Series A connectors at front panel
 - Four USB 2.0 ports via side-card connector
 - Four USB 2.0 ports via rear I/O

- One USB for connection of CompactFlash®/MicroSD or USB NAND Flash
- UHCI implementation
- Data rates up to 480Mbits/s
- Ethernet
 - Two 10/100/1000Base-T Ethernet channels at the front
 - RJ45 connectors at front panel
 - Ethernet controllers are connected by two x1 PCIe® links from ICH9M
 - Onboard LEDs to signal activity status and connection speed
 - One 10/100/1000Base-T Ethernet channel via rear I/O
 - Ethernet controller is connected by one x1 PCIe® link from GS45
- High Definition (HD) audio
 - Accessible via side-card connector

Front Connections (Standard)

- VGA
- Two USB 2.0 (Series A)
- Two Ethernet (RJ45)

Rear I/O

- Four SATA
- Four USB
- One Gigabit Ethernet
- Four PCI Express® x1 links
- Compatible with PICMG 2.30 CompactPCI® PlusIO
 - 1PCI33/4PCIE2.5/4SATA3/4USB2/1ETH1G

Miscellaneous

- Board controller
- Real-time clock, buffered by a GoldCap or alternatively a battery (5 years life cycle)
- Watchdog timer
- Temperature measurement
- One user LED
- Reset button

PCI Express®

- Three x1 links to connect local 1000Base-T Ethernet controllers
 - Data rate 250MB/s in each direction (2.5 Gbits/s per lane)
- One x4 or four x1 links for extension through side-card connector or rear I/O
 - Data rate up to 1GB/s in each direction (2.5 Gbits/s per lane)

Technical Data

CompactPCI® Bus

- Compliance with CompactPCI® Core Specification PICMG 2.0 R3.0
- System slot
- 32-bit/33-MHz CompactPCI® bus
- V(I/O): +3.3V (+5V tolerant)

Busless Operation

- Board can be supplied with +5V only, all other voltages are generated on the board
- Backplane connectors used only for power supply

Electrical Specifications

- Supply voltage/power consumption with Celeron® M722 processor:
 - +5V (-3%/+5%), 2.2A typ., 2.7A max., if the F19P is operated with 5V only, the 3.3V voltage can be used to supply other CompactPCI® boards in the system, maximum load: 10W
 - +3.3V (-3%/+5%), 1.4A (2 Gb Ethernet), 1A (1 Gb Ethernet)
 - +12V (-10%/+10%), approx. 10mA
- Supply voltage/power consumption with SP9300 processor:
 - +5V (-3%/+5%), 4.9A typ., 6.4A max., if the F19P is operated with 5V only, the 3.3V voltage can be used to supply other CompactPCI® boards in the system, maximum load: 10W
 - +3.3V (-3%/+5%), 1.4A (2 Gb Ethernet), 1A (1 Gb Ethernet)
 - +12V (-10%/+10%), approx. 10mA

Mechanical Specifications

- Dimensions: conforming to CompactPCI® specification for 3U boards
- Front panel: 4HP with ejector
- Weight: 430g

Environmental Specifications

- Temperature range (operation):
 - Depends on system configuration (CPU, hard disk, heat sink...)
 - Maximum: +85°C
 - Minimum: -40°C (all processors)
 - Conditions: airflow 1.5m/s, typical power dissipation tbd
- Temperature range (storage): -40..+85°C
- Relative humidity (operation): max. 95% non-condensing
- Relative humidity (storage): max. 95% non-condensing
- Altitude: -300m to + 2,000m
- Shock: 15g/11ms
- Bump: 10g/16ms
- Vibration (sinusoidal): 1g/10..150Hz
- Conformal coating on request

MTBF

- tbd @ 40°C according to IEC/TR 62380 (RDF2000)

Safety

- PCB manufactured with a flammability rating of 94V-0 by UL recognized manufacturers

EMC

- Tested according to EN 55022 (radio disturbance), IEC1000-4-2 (ESD) and IEC1000-4-4 (burst)

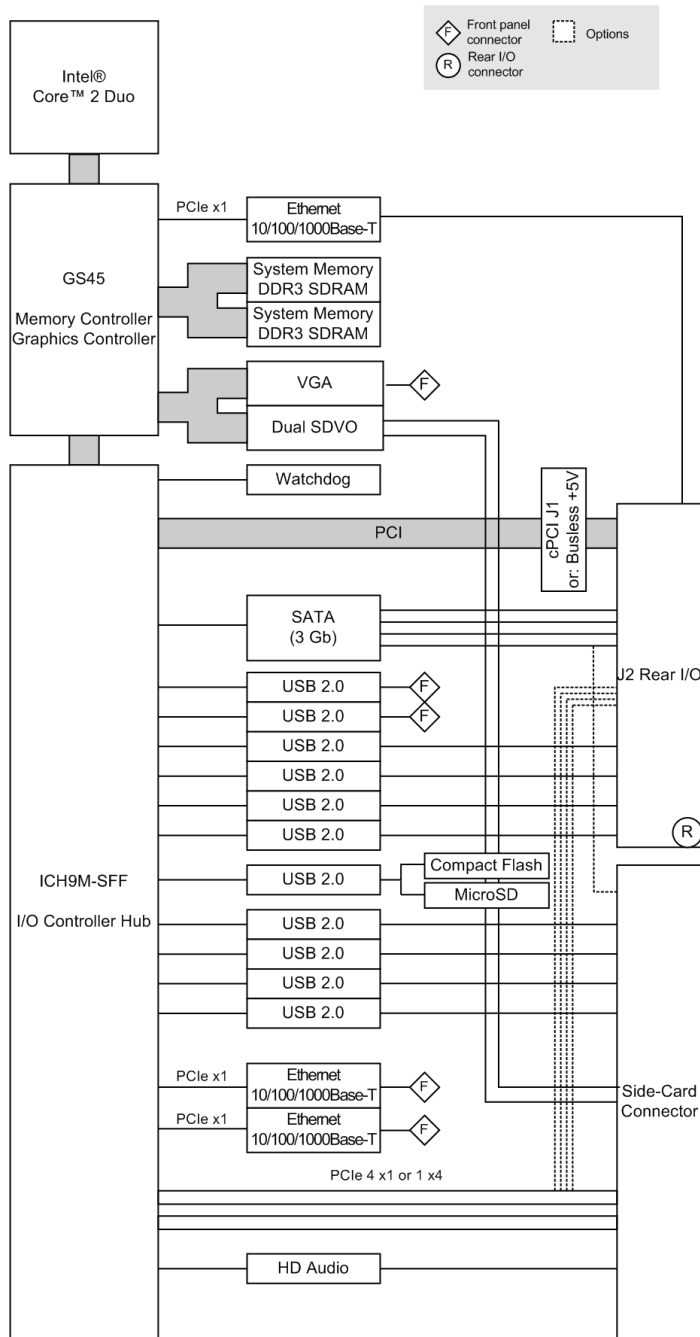
BIOS

- InsydeH2O™ UEFI Framework

Software Support

- Note that 64-bit hardware technology requires 64-bit operating system support
- Windows® (including Vista)
- Linux
- VxWorks® (in preparation)
- QNX® (on request)
- Intel® Virtualization Technology, allows a platform to run multiple operating systems and applications in independent partitions; one computer system can function as multiple "virtual" systems
- For more information on supported operating system versions and drivers see Software.

Diagram



Configuration & Options

Standard Configurations

Article No.	CPU Type	Clock	System RAM	Cflash/microSD™	Side Card Slot	Operation Temperature
02F019P00	Celeron® M 722	1.2 GHz	2 GB	0 MB	right	-40..+85°C
02F019P01	SP9300	2.26 GHz	4 GB	0 MB	right	0..+60°C

Options

CPU

- Intel® SP9300, 2.26GHz, 1066MHz FSB, 6MB cache, 25W
- Intel® SL9400, 1.86GHz, 1066MHz FSB, 6MB cache, 17W
- Intel® SU9300, 1.2GHz, 800MHz FSB, 3MB cache, 10W
- Intel® Celeron® M722, 1.2GHz, 800MHz FSB, 1MB cache, 5.5W
- Intel® Celeron® M723, 1.2GHz, 800MHz FSB, 1MB cache, 10W

Memory

- System RAM
 - 2GB or 4GB (8GB when components available)
- CompactFlash®
 - 0 MB up to maximum available
- MicroSD card
 - 0 MB up to maximum available
- NAND Flash instead of CompactFlash®, microSD™ card and battery
 - 0 MB up to maximum available

Graphics

- One or two DVI-D connectors at front via side card
 - Simultaneous connection of two monitors

I/O

- Ethernet
 - 9-pin D-Sub connector with one or two 10/100Base-T ports instead of two RJ45 connectors

Mechanical

- Side card can be added at left or right side of CPU

Operation Temperature

- Depends on system configuration (CPU, hard disk, heat sink...)
- Maximum: +85°C
- Minimum: -40°C (all processors)

Please note that some of these options may only be available for large volumes. Please ask our sales staff for more information.

Ordering Information

Standard Hardware

02F019P00	Intel Celeron M 722, 1.2 GHz, 2 GB DDR3 DRAM, -40..+85°C
02F019P01	Intel Core 2 Duo SP9300, 2.26 GHz, 4 GB DDR3 DRAM, 0..+60°C

Related Hardware

02F600-00	2 COM extensions and SATA hard disk slot, for F14 and compatible SBCs, -40..+85°C screened
02F601-00	1 DVI-D and 1 audio at front, SATA hard disk slot, for F14 and compatible SBCs, 4HP, 0..+60°C
02F601-02	2 DVI-D, 1 audio, 1 COM (via SA-Adapter) at front, SATA hard disk slot, for F14 and compatible SBCs, 8HP, 0..+60°C
02F603-00	3U CompactPCI side card with 2 USB and 1 COM extension, SATA hard disk and CompactFlash slot, for F14 and compatible SBCs, mounted to the right of the SBC, 0..+60°C
02F604-00	3U CompactPCI side card with 1 IEEE 1394 FireWire, 1 DVI, 1 HD audio and 1 COM extension, SATA hard disk slot, for F14 and compatible SBCs, mounted to the right of the SBC, 0..+60°C
02F605-00	1 XMC or PMC slot, for F14 and compatible SBCs, -40..+85°C with qualified components
02F606-00	2 Gigabit Ethernet on Lemo railway compliant connectors, 1 COM extension (SA-Adapter not included), SATA hard disk slot, for F14 and compatible SBCs, conformally coated, -40...+85°C screened
02F608-00	4 SATA and 2 COM ports, additional SATA hard disk slot on-board, for F14 and compatible SBCs, mounted to the right of the SBC, 0..+60°C
08CT12-00	CompactPCI PlusIO rear transition module 3U/80mm, 2 Ethernet, 4 USB, 4 SATA, 4 PCIe x1, -40°C..+85°C qualified

Memory

0751-0032	CompactFlash card, 8 GB, Type I, -40..+85°C, fixed bit set
0751-0038	CompactFlash card, 256 MB, Type I, removable, -40..+85°C
0751-0039	CompactFlash card, 512 MB, Type I, removable, -40..+85°C

0751-0040	CompactFlash card, 1 GB, Type I, fixed bit set, -40..+85°C
0751-0041	CompactFlash card, 2 GB, Type I, fixed bit set, -40..+85°C
0751-0042	CompactFlash card, 4 GB, Type I, fixed bit set, -40..+85°C

Systems & Card Cages

0701-0046	CompactPCI 19" 4U/24HP desktop system for 3U cards, 3-slot 3U CompactPCI backplane, system slot right, 1U fan tray with 1 fan, 8 HP space for 1 pluggable PSU
0701-0056	CompactPCI 19" 4U/84HP rack-mount enclosure for 3U cards (vertical), 4+4-slot 3U CompactPCI / cPCI Serial hybrid backplane, prepared for rear I/O, 250W power supply wide range 90..264VAC on rear, 1U fan tray with 2 fans included, 0..+60°C

Miscellaneous

0713-0003	CompactPCI 3U 1-slot backplane for stand-alone operation of F14, F15, F17, F18, F19P: 32-bit/33-MHz with rear I/O, 3.3V supply, ATX-power, power, JTAG, IPMB and utility connection, 6x screw connection M3
08CT12-00	CompactPCI PlusIO rear transition module 3U/80mm, 2 Ethernet, 4 USB, 4 SATA, 4 PCIe x1, -40°C..+85°C qualified

Software: OS independent

13XM01-06	MDIS5 low-level driver sources (MEN) for XM1, XM1L, MM1, XM2, F11S and F19P board controller
------------------	----------------------------------------------------------------------------------------------

Software: Windows

10F014-78	Windows Embedded Standard BSP (MEN) for F14, F15, F17, F18, F19P, G20, XM1, XM1L, XM2, MM1, SC21, DC1 and RC1
13T003-70	Windows chipset driver (Intel) for F14, F15, F17, F18, F18E, F19P, D9, D6, D7, D601, A19 and A20
13T005-70	Windows USB2UART driver (FTDI) for F14, F15, F17, F18, F19P, D9, A19, A20, XM2 and XM50 hosts

Ordering Information

- 13T010-70** Windows network driver (Intel) for XM1, XM1L, XM2, F11S and F19P
- 13T019-70** Windows graphics driver (Intel) for XM2 and F19P
- 13XM02-77** Windows Installset (MEN) for XM2 and F19P

Software: VxWorks

- 13Y003-60** VxWorks driver (MEN) for USB-to-UART bridges on F600, F601, F602, F603, F604, F606 and D700

Software: Firmware/BIOS

- 14F019P01** System BIOS for F19P

Documentation

- 20APPN004** Application Note: How to make a USB stick bootable
- 20F019P00** F19P User Manual
- 20F019PER** F19P Errata

For the most up-to-date ordering information and direct links to other data sheets and downloads, see the F19P online data sheet under » www.men.de.

Germany

MEN Mikro Elektronik GmbH
Neuwieder Straße 5-7
90411 Nuremberg
Phone +49-911-99 33 5-0
Fax +49-911-99 33 5-901
E-mail info@men.de
www.men.de

France

MEN Mikro Elektronik SA
18, rue René Cassin
ZA de la Châtelaine
74240 Gaillard
Phone +33 (0) 450-955-312
Fax +33 (0) 450-955-211
E-mail info@men-france.fr
www.men-france.fr

USA

MEN Micro, Inc.
24 North Main Street
Ambler, PA 19002
Phone (215) 542-9575
Fax (215) 542-9577
E-mail sales@menmicro.com
www.menmicro.com

The date of issue stated in this data sheet refers to the Technical Data only. Changes in ordering information given herein do not affect the date of issue.

All brand or product names are trademarks or registered trademarks of their respective holders.

Information in this document has been carefully checked and is believed to be accurate as of the date of publication; however, no responsibility is assumed for inaccuracies. MEN Mikro Elektronik accepts no liability for consequential or incidental damages arising from the use of its products and reserves the right to make changes on the products herein without notice to improve reliability, function or design. MEN Mikro Elektronik does not assume any liability arising out of the application or use of the products described in this document.

The products of MEN Mikro Elektronik are not suited for use in nuclear reactors or for application in medical appliances used for therapeutical purposes.

Application of MEN's products in such plants is only possible after the user has precisely specified the operation environment and after MEN Mikro Elektronik has consequently adapted and released the product.

Copyright © 2010 MEN Mikro Elektronik GmbH. All rights reserved.