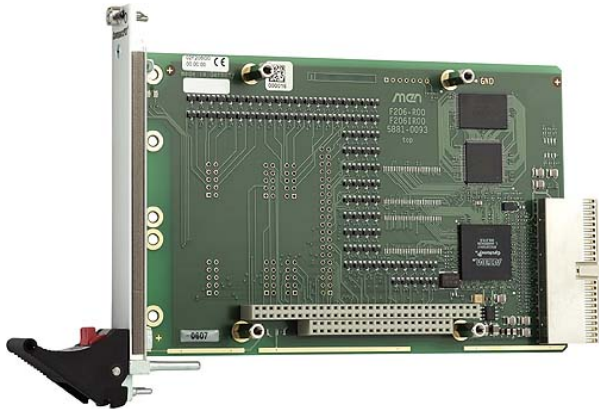


# F2061 - 3U CompactPCI®-ISA PC/104 Carrier Board



- **1 CompactPCI® slot 32-bit/33-MHz (opt. 66 MHz)**
- **4 HP closed front panel**
- **1 to 4 PC/104 slots**
- **PCI-to-ISA bridge**
- **FPGA 12,000 LEs (approx. 144,000 gates)**
- **-40 to +85°C with qualified components**

The F2061 is a 3U 8HP CompactPCI® bus card which provides a PC/104 interface supporting PC/104 extension boards. An on-board PCI-to-ISA bridge links the ISA bus of the PC/104 module with the 32-bit/33-MHz CompactPCI® bus.

The F2061 can be configured to work with most PC/104 modules. By default, PCI accesses are translated to 0xDxxx, so that PC/104 modules which can be jumpered or configured to that address will work without software modification.

For other PC/104 modules, software modifications or modified F2061 FPGA content may be necessary.

For detailed information as to whether your PC/104 module works with F2061, see the user manual or ask MEN support.

Memory as well as I/O access is possible. The

interrupt routing can be done in a very flexible way. DMA on the ISA bus is currently not supported but can be made available as an option.

The PCI-to-ISA bridge is realized by means of an FPGA which is loaded automatically after power-up out of a 2MB standard NOR Flash device.

The F2061 is delivered with one closed 4HP front panel. Depending on the PC/104 module/s used on the F2061 it might be necessary to adapt the required front panels (see MEN accessories) and to provide specific cabling to connect the PC/104 module to the front (please contact PC/104 module manufacturer).

The F2061 is designed for use in rugged environments. For example, all components are specified for an operation temperature of -40 to +85°C.

## Technical Data

### CompactPCI® to PC/104 bridge

- 1 to 4 PC/104 slots
- FPGA-controlled

### CompactPCI® Bus

- Compliance with CompactPCI® Core Specification PICMG 2.0 R3.0
- Peripheral slot
- V(I/O): +3.3V

### Electrical Specifications

- Supply voltage/power consumption:
  - +5V (-3%/+5%), current depends only on mounted PC/104 modules
  - +3.3V (-3%/+5%), > 500mA typ.
- MTBF: 316,000h @ 40°C (derived from MIL-HDBK-217F)

### Mechanical Specifications

- Dimensions: conforming to CompactPCI® specification for 3U boards
- Single 3U front panel slot (additional slots may be required for mounted PC/104 boards)
- Front panel: aluminum with 1 handle
- Weight: 95g

### Environmental Specifications

- Temperature range (operation):
  - -40..+85°C (qualified components)
  - Airflow: min. 10m<sup>3</sup>/h
- Temperature range (storage): -40..+85°C
- Relative humidity (operation): max. 95% non-condensing
- Relative humidity (storage): max. 95% non-condensing
- Altitude: -300m to + 3,000m
- Shock: 15g/11ms
- Bump: 10g/16ms
- Vibration (sinusoidal): 2g/10..150Hz
- Conformal coating on request

### Safety

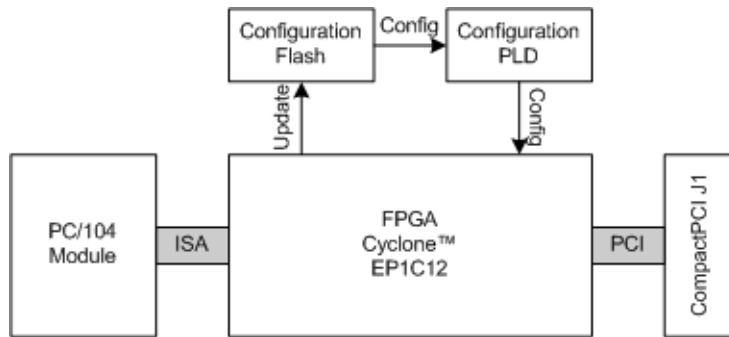
- PCB manufactured with a flammability rating of 94V-0 by UL recognized manufacturers

### EMC

- Tested according to EN 55022 (radio disturbance), IEC1000-4-2 (ESD) and IEC1000-4-4 (burst)

### Software Support

- PC/104 drivers as supported

**Diagram**

## Ordering Information

### Standard Hardware

**02F206I00** F206I, CompactPCI® 3U, 2-slot carrier board for 1 PC/104 module with 1-slot closed front panel mounted, operation temperature -40..+85°C

### Documentation

**20F206I00** F206I User Manual

For the most up-to-date ordering information and direct links to other data sheets and downloads, see the F206I online data sheet under » [www.men.de](http://www.men.de).

### Diamond Point International (Europe) Ltd

Suite 13, Ashford House, Beaufort Court  
Sir Thomas Longley Road, Rochester, Kent, ME2 4FA, UK  
Phone 01634 300900 - Fax 01634 722398 - Email [sales@dpie.com](mailto:sales@dpie.com) – Web [www.dpie.com](http://www.dpie.com) [www.dpiishop.com](http://www.dpiishop.com)



[www.dpie.com](http://www.dpie.com)

#### Germany

MEN Mikro Elektronik GmbH  
Neuwieder Straße 5-7  
90411 Nuremberg  
Phone +49-911-99 33 5-0  
Fax +49-911-99 33 5-901  
E-mail [info@men.de](mailto:info@men.de)  
[www.men.de](http://www.men.de)

#### France

MEN Mikro Elektronik SA  
18, rue René Cassin  
ZA de la Châtelaine  
74240 Gaillard  
Phone +33 (0) 450-955-312  
Fax +33 (0) 450-955-211  
E-mail [info@men-france.fr](mailto:info@men-france.fr)  
[www.men-france.fr](http://www.men-france.fr)

#### USA

MEN Micro, Inc.  
24 North Main Street  
Ambler, PA 19002  
Phone (215) 542-9575  
Fax (215) 542-9577  
E-mail [sales@menmicro.com](mailto:sales@menmicro.com)  
[www.menmicro.com](http://www.menmicro.com)

*The date of issue stated in this data sheet refers to the Technical Data only. Changes in ordering information given herein do not affect the date of issue.*

*All brand or product names are trademarks or registered trademarks of their respective holders.*

*Information in this document has been carefully checked and is believed to be accurate as of the date of publication; however, no responsibility is assumed for inaccuracies. MEN Mikro Elektronik accepts no liability for consequential or incidental damages arising from the use of its products and reserves the right to make changes on the products herein without notice to improve reliability, function or design. MEN Mikro Elektronik does not assume any liability arising out of the application or use of the products described in this document.*

*The products of MEN Mikro Elektronik are not suited for use in nuclear reactors and for application in medical appliances used for therapeutical purposes.*

*Application of MEN's products in such plants is only possible after the user has precisely specified the operation environment and after MEN Mikro Elektronik has consequently adapted and released the product.*

*Copyright © 2008 MEN Mikro Elektronik GmbH. All rights reserved.*



mikro elektronik  
gmbh · nürnberg