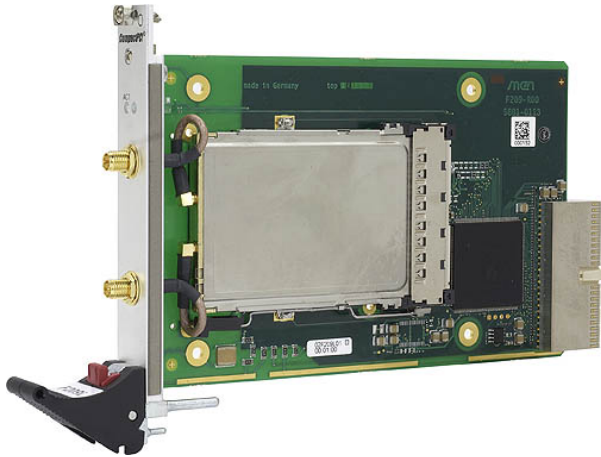


F209L - 3U CompactPCI® WLAN Interface



- 4 HP 32-bit/33-MHz CompactPCI®
- IEEE 802.11b
- Outdoor range up to 600 m
- Up to 11 Mbits/s per channel
- Output power 20 dBm
- Frequency band 2.4 GHz (DSSS)
- 40-bit or 128-bit WEP encryption
- 2 Reverse SMA antenna connectors
- -40 to +85°C screened

The F209L is a rugged single Eurocard CompactPCI® WLAN interface based on a PCMCIA card and needing only one slot on the CompactPCI® bus. It features access safety and offers two rugged antenna connectors at the front panel for the use of external antennae with a radius of up to 600 meters.

The WLAN IEEE 802.11b standard translates into a data rate of up to 11 Mbits/s per channel, an output power of 20 dBm and a 40-bit or 128-bit WEP encryption. The frequency band width is 2.4 GHz with Direct Sequence

Spread Spectrum (DSSS). The F209L supports auto fall-back. The WLAN interface is a high-power, high-sensitivity solution that maintains communication in problematic environments.

The F209L is screened for -40 to +85°C operation temperature and prepared for conformal coating in order to be used also in harsh and mobile environments.

Technical Data

WLAN Interface

- IEEE 802.11b compliant
- Prism 2.5 chipset
- 40-bit or 128-bit WEP encryption, MAC filter and Access control
- Data rate up to 11Mbps/s per channel, auto fall-back
- Frequency band width 2.4GHz with Direct Sequence Spread Spectrum (DSSS)
- Outdoor range up to 600m
- Two antenna connectors at front panel
 - For the use of external antennae
 - Rugged screw connection
- Output power: 20 dBm (100 mW) typ.
- Receiver sensitivity:
 - -91 dBm @ 11Mbps/s
 - -92 dBm @ 5.5Mbps/s
 - -93 dBm @ 2Mbps/s
 - -95 dBm @ 1Mbit/s
- Supported modulations: CCK (11Mbps/s, 5.5Mbps/s), DQPSK (2Mbps/s), DBPSK (1Mbit/s)
- One activity LED
- Implemented through on-board PC Card
 - Allows easy configuration of IEEE standard through different PC Cards
 - IEEE 802.11a, IEEE 802.11b, or IEEE 802.11g

Front Connections

- Two Reverse SMA antenna connectors

CompactPCI® Bus

- Compliance with CompactPCI® Core Specification PICMG 2.0 R3.0
- Peripheral slot
- 32-bit/33-MHz PCI-to-PCI bridge
- V(I/O): +3.3V (+5V tolerant)

Electrical Specifications

- Supply voltage/power consumption:
 - +5V (-3%/+5%), transmit operation: 400mA max., receive operation: 300mA max., sleep mode: 50mA max.
 - +3.3V (-3%/+5%), 50mA max.
- MTBF (without WLAN PC card): 3,560,811h @ 40°C according to IEC/TR 62380 (RDF 2000)

Mechanical Specifications

- Dimensions: conforming to CompactPCI® specification for 3U boards
- Front panel: 4HP with ejector
- Weight: 180g

Environmental Specifications

- Temperature range (operation):
 - -40..+85°C (screened)
 - Airflow: min. 10m³/h
- Temperature range (storage): -40..+85°C
- Relative humidity (operation): max. 95% non-condensing
- Relative humidity (storage): max. 95% non-condensing
- Altitude: -300m to + 3,000m
- Shock: 15g/11ms
- Bump: 10g/16ms
- Vibration (sinusoidal): 2g/10..150Hz
- Conformal coating on request

Safety

- PCB manufactured with a flammability rating of 94V-0 by UL recognized manufacturers

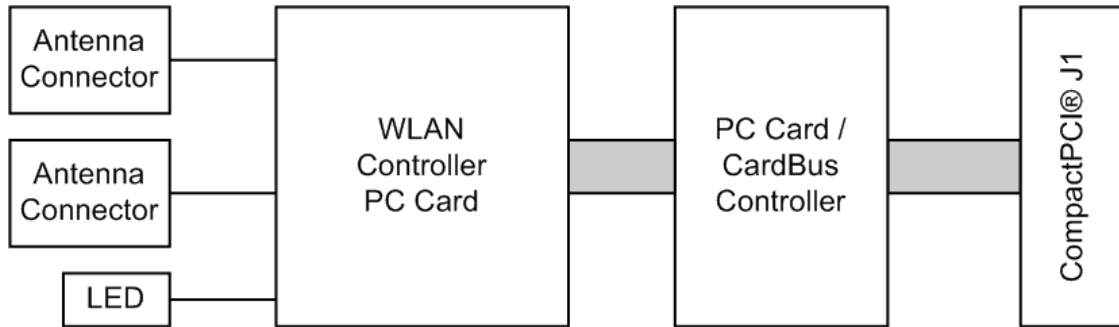
EMC

- Tested according to EN 55022 (radio disturbance), IEC1000-4-2 (ESD) and IEC1000-4-4 (burst)

Software Support

- Driver software for Windows® and Linux
- For more information on supported Windows® operating system versions and drivers see Software.

Diagram



Configuration & Options

Standard Configurations

Article No.	WLAN Type	Front Panel	Operation Temperature
02F209L00	IEEE 802.11b	4HP	-40..+85°C

Options

Interface

- Capabilities variable through use of different PC Card
 - WLAN
 - ZigBee
 - Bluetooth
 - GPS
 - GSM
- Variable WLAN output power
 - Up to 25.5 dBm (370 mW) for higher outdoor range
 - The allowed output power must be verified for each country and may need official permission
- For applications that require high access safety.

Please note that some of these options may only be available for large volumes. Please ask our sales staff for more information.

Ordering Information

Standard Hardware

02F209L00 WLAN interface IEEE 802.11b, 2 reverse SMA antenna connectors, -40..+85°C screened, including PC Card antenna

Documentation

20F209L00 F209L User Manual

For the most up-to-date ordering information and direct links to other data sheets and downloads, see the F209L online data sheet under » www.men.de.

Diamond Point International (Europe) Ltd

Suite 13, Ashford House, Beaufort Court

Sir Thomas Longley Road, Rochester, Kent, ME2 4FA, UK

Phone 01634 300900 - Fax 01634 722398 - Email sales@dpie.com – Web www.dpie.com www.dpieshop.com



www.dpie.com

Germany

MEN Mikro Elektronik GmbH
Neuwieder Straße 5-7
90411 Nuremberg
Phone +49-911-99 33 5-0
Fax +49-911-99 33 5-901
E-mail info@men.de
www.men.de

France

MEN Mikro Elektronik SA
18, rue René Cassin
ZA de la Châtelaine
74240 Gaillard
Phone +33 (0) 450-955-312
Fax +33 (0) 450-955-211
E-mail info@men-france.fr
www.men-france.fr

USA

MEN Micro, Inc.
24 North Main Street
Ambler, PA 19002
Phone (215) 542-9575
Fax (215) 542-9577
E-mail sales@menmicro.com
www.menmicro.com

The date of issue stated in this data sheet refers to the Technical Data only. Changes in ordering information given herein do not affect the date of issue.

All brand or product names are trademarks or registered trademarks of their respective holders.

Information in this document has been carefully checked and is believed to be accurate as of the date of publication; however, no responsibility is assumed for inaccuracies. MEN Mikro Elektronik accepts no liability for consequential or incidental damages arising from the use of its products and reserves the right to make changes on the products herein without notice to improve reliability, function or design. MEN Mikro Elektronik does not assume any liability arising out of the application or use of the products described in this document.

The products of MEN Mikro Elektronik are not suited for use in nuclear reactors and for application in medical appliances used for therapeutical purposes.

Application of MEN's products in such plants is only possible after the user has precisely specified the operation environment and after MEN Mikro Elektronik has consequently adapted and released the product.

Copyright © 2008 MEN Mikro Elektronik GmbH. All rights reserved.



mikro elektronik
gmbh • nürnberg