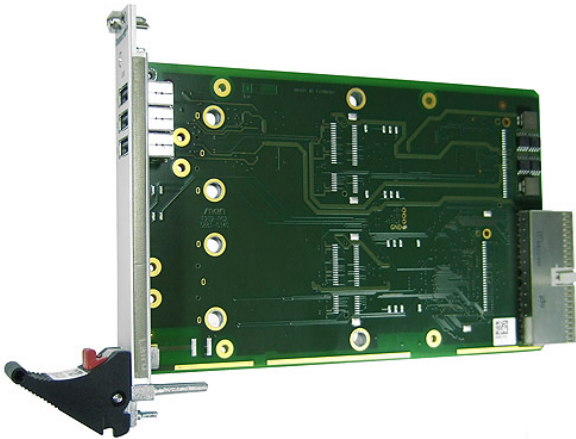


F212U - 3U CompactPCI® Triple USB Interface



- **3 USB 2.0 interfaces**
- **32-bit/33-MHz CompactPCI®**
- **-40 to 85°C screened**

The F212U is a rugged single Eurocard CompactPCI® board with three USB 2.0 interfaces at the front. The interfaces support OHCI and EHCI.

The F212U is designed for -40 to +85°C operation temperature (screened) and prepared for conformal coating in order to be used also in harsh and mobile environments.

It is an ideal extension of a CompactPCI® Intel® or Power PC system if the USB interfaces provided by the CPU board or the side card are not sufficient.

Technical Data

USB

- Three USB 2.0 host ports
- Series A connectors at front panel
- OHCI implementation
- Data rates up to 480Mbits/s
- No booting support

CompactPCI® Bus

- Compliance with CompactPCI® Core Specification PICMG 2.0 R3.0
- Peripheral slot
- 32-bit/33-MHz PCI-to-USB bridge
- V(I/O): +3.3V (+5V tolerant)

Electrical Specifications

- Supply voltage/power consumption:
 - +5V (-3%/+5%), depending on plugged USB devices, max. current without USB devices: 25mA
 - +3.3V supply voltage for board is generated onboard

Mechanical Specifications

- Dimensions: conforming to CompactPCI® specification for 3U boards
- Front panel: 4HP with ejector
- Weight: 110g

Environmental Specifications

- Temperature range (operation):
 - -40..+85°C (screened)
 - Airflow: min. 1.0m/s
- Temperature range (storage): -40..+85°C
- Relative humidity (operation): max. 95% non-condensing
- Relative humidity (storage): max. 95% non-condensing
- Altitude: -300m to + 3,000m
- Shock: 15g/11ms
- Bump: 10g/16ms
- Vibration (sinusoidal): 1g/10..150Hz
- Conformal coating on request

MTBF

- tbd @ 40°C according to IEC/TR 62380 (RDF 2000)

Safety

- PCB manufactured with a flammability rating of 94V-0 by UL recognized manufacturers

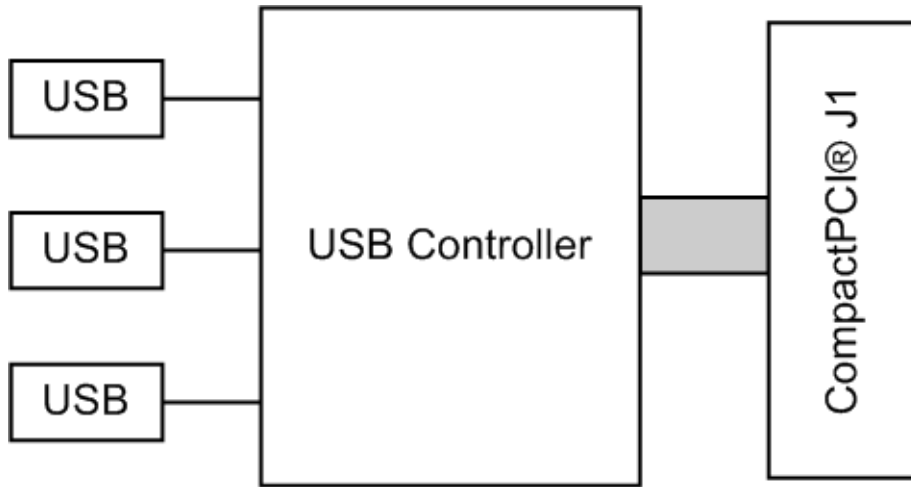
EMC

- Conforming to EN 55022 (radio disturbance), IEC1000-4-2 (ESD) and IEC1000-4-4 (burst)

Software Support

- Support of standard USB devices under Windows®, VxWorks®

Diagram



Ordering Information

Standard Hardware

02F212U00 3x USB 2.0 at front, -40..+85°C screened

Documentation

20F212U00 F212U User Manual

For the most up-to-date ordering information and direct links to other data sheets and downloads, see the F212U online data sheet under » www.men.de.

Diamond Point International (Europe) Ltd

Suite 13, Ashford House, Beaufort Court

Sir Thomas Longley Road, Rochester, Kent, ME2 4FA, UK

Phone 01634 300900 - Fax 01634 722398 - Email sales@dpie.com – Web www.dpie.com www.dpieshop.com



www.dpie.com

Germany

MEN Mikro Elektronik GmbH
Neuwieder Straße 5-7
90411 Nuremberg
Phone +49-911-99 33 5-0
Fax +49-911-99 33 5-901
E-mail info@men.de
www.men.de

France

MEN Mikro Elektronik SA
18, rue René Cassin
ZA de la Châtelaïne
74240 Gaillard
Phone +33 (0) 450-955-312
Fax +33 (0) 450-955-211
E-mail info@men-france.fr
www.men-france.fr

USA

MEN Micro, Inc.
24 North Main Street
Ambler, PA 19002
Phone (215) 542-9575
Fax (215) 542-9577
E-mail sales@menmicro.com
www.menmicro.com

The date of issue stated in this data sheet refers to the Technical Data only. Changes in ordering information given herein do not affect the date of issue.

All brand or product names are trademarks or registered trademarks of their respective holders.

Information in this document has been carefully checked and is believed to be accurate as of the date of publication; however, no responsibility is assumed for inaccuracies. MEN Mikro Elektronik accepts no liability for consequential or incidental damages arising from the use of its products and reserves the right to make changes on the products herein without notice to improve reliability, function or design. MEN Mikro Elektronik does not assume any liability arising out of the application or use of the products described in this document.

The products of MEN Mikro Elektronik are not suited for use in nuclear reactors and for application in medical appliances used for therapeutical purposes.

Application of MEN's products in such plants is only possible after the user has precisely specified the operation environment and after MEN Mikro Elektronik has consequently adapted and released the product.

Copyright © 2008 MEN Mikro Elektronik GmbH. All rights reserved.



mikro elektronik
gmbh • nürnberg