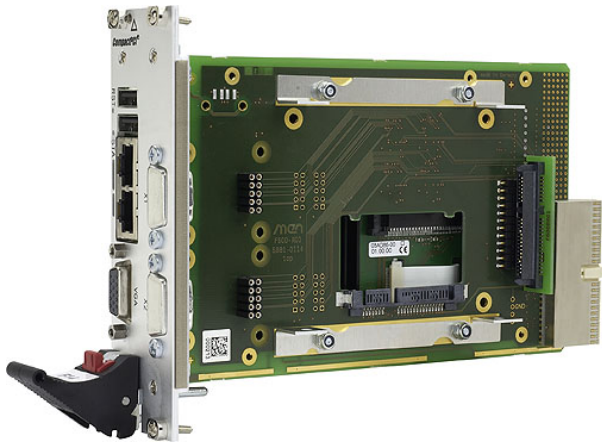


F600 - 3U CompactPCI® Side Card for SATA/Legacy I/O



- 4 HP extension for 3U Intel® SBCs F14, F15, F17, F18
- 1-4 COMs via SA-Adapters™
- Optical isolation depending on SA-Adapter™
- 2.5" SATA hard-disk slot
- Additional SATA port for external device
- -40 to +85°C screened

The F600 is a 4HP legacy I/O extension card for 3U Intel® based CompactPCI® single-board computers such as F14, F15, F17, F18 and further boards of the Intel® low power family.

Modern Intel® based boards increasingly support USB interfaces as an exclusive universal connection of devices such as keyboard, mouse, CD-ROM, floppy etc. Especially in industrial applications however many existing systems still use COM interfaces.

The F600 provides SA-Adapter™ slots for up to four additional COMs, two at the front panel and two on board. Since SA-Adapters™ provide the physical layers, the F600 can be configured flexibly with a combination

of RS232, RS422 or RS485 interfaces, alternatively isolated or not isolated. In addition an on-board 2.5" SATA hard-disk slot can be used on the standard version of the F600, which comes with two COM interfaces.

The F600 is directly plugged to the right side of the respective single-board computer. A robust connector makes for high mechanical stability. It is delivered with an 8HP front panel, replacing the 4HP front panel of a 3U single-board computer and thus resulting in a solid one-piece front panel.

Technical Data

I/O

- Up to four UARTs
 - From four CPU-controlled USB channels
 - Two at front panel
 - Two on board, instead of on-board SATA device, on request
 - Physical interface using SA-Adapters™ via 10-pin connectors
 - RS232..RS422, isolated or not: for free use in system (e. g. cable to front)
 - Data rates up to 1 Mbit/s
 - FIFO receive and transmit buffers for high data throughput
 - Handshake lines: full support; lines depend on SA-Adapters™

Mass Storage

- Serial IDE (SATA)
 - One port for on-board 2.5" hard-disk drive
 - One port for external device (e.g. SATA DVD Drive)
 - Transfer rates up to 150MB/s (depends on hard disk)
 - RAID level 0/1 support (depends on CPU board)

Miscellaneous

- CompactPCI® J1 and J2 are assembled for increased mechanical stability and/or for power supply via J1

Electrical Specifications

- Supply voltage/power consumption:
 - +5V (-3%/+5%), 21mA typ. (with two SA1 SA-Adapters™, w/o hard disk)
 - +3.3V (-3%/+5%), 50mA typ. (with two SA1 SA-Adapters™, w/o hard disk)
- MTBF: 1,663,000h @ 40°C (derived from MIL-HDBK-217F)

Mechanical Specifications

- Dimensions: conforming to CompactPCI® specification for 3U boards
- Weight: 145g (w/o hard disk)

Environmental Specifications

- Temperature range (operation):
 - -40..+85°C (depending on hard disk; please refer to the hard disk specifications for possible limits)
 - Airflow: min. 10m³/h
- Temperature range (storage): -40..+85°C
- Relative humidity (operation): max. 95% non-condensing
- Relative humidity (storage): max. 95% non-condensing
- Altitude: -300m to + 3,000m
- Shock: 15g/11ms
- Bump: 10g/16ms
- Vibration (sinusoidal): 2g/10..150Hz
- Conformal coating on request

Safety

- PCB manufactured with a flammability rating of 94V-0 by UL recognized manufacturers

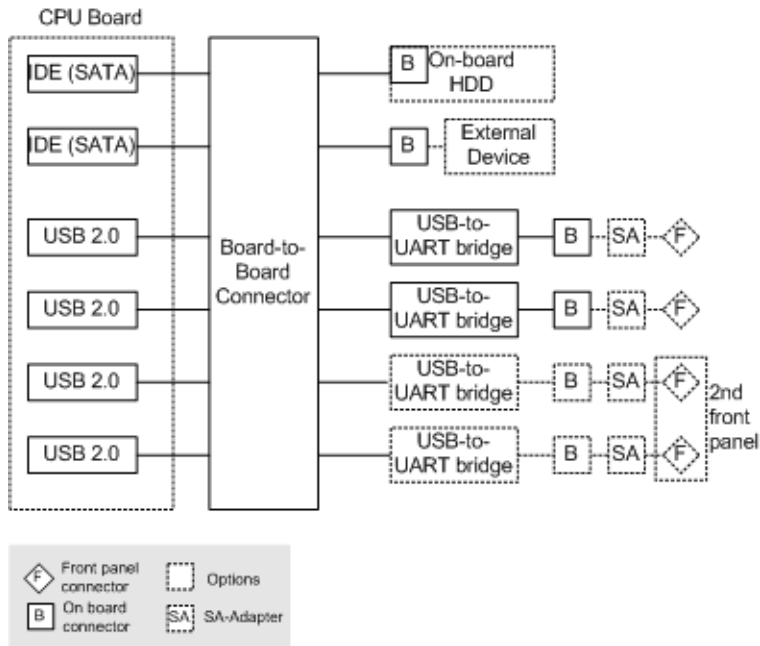
EMC

- Tested according to EN 55022 (radio disturbance), IEC1000-4-2 (ESD) and IEC1000-4-4 (burst)

Software Support

- Driver software can be found in the data sheet of the CPU board that you use.

Diagram



Configuration & Options

Standard Configurations

Article No.	Interfaces	SA-Adapters™	Mass Storage	Position	Operation Temperature
02F600-00	2 COMs	to be ordered separately	SATA HD slot	right of CPU	0..+60°C

Options

Mass storage

- CompactFlash® interface instead of SATA hard disk
 - Via AD95 adapter

UARTs

- Two additional UARTs instead of on-board SATA hard disk
- 1 to 4 COMs possible

Mechanical

- Side card can be added at left or right side of CPU

Please note that some of these options may only be available for large volumes. Please ask our sales staff for more information.

Ordering Information

Standard Hardware

02F600-00 2 COM extensions and SATA hard disk slot, for F14 and compatible SBCs, -40..+85°C screened

Memory

0751-0028 CompactFlash® card, 2 GB, Type I, -40..+85°C, S.M.A.R.T. interface

0751-0029 CompactFlash® card, 1 GB, Type I, -40..+85°C, S.M.A.R.T. interface

SA-Adapters

08SA01-00 RS232, not optically isolated, 0..+60°C

08SA02-01 RS422/485, full duplex, optically isolated, 0..+60°C

08SA02-07 RS422/485, full duplex, optically isolated, -40..+85°C screened

08SA03-00 RS232, optically isolated, 0..+60°C

08SA03-01 RS232, optically isolated, -40..+85°C screened

08SA22-00 IBIS master SA-Adapter™, -40..+85°C screened

08SA22-01 IBIS slave SA-Adapter™, -40..+85°C screened

Miscellaneous

0710-0018 SATA150 hard disk 2.5" 60GB, 5400rpm, 8MB cache, NCQ, +5..+55°C

0710-0025 SATA hard disk 2.5", 80 GB, 5400 rpm, 24h/7d, -30..+85°C; N.B.: between -30°C to -20°C power-on time is 12 s typ. (incl. stand-offs and mounting screws)

08AD95-01 SATA-to-CompactFlash® adapter for F14, F15, F17, F18 side cards

Documentation

20F600-00 F600 User Manual

For the most up-to-date ordering information and direct links to other data sheets and downloads, see the F600 online data sheet under » www.men.de.

Contact Information

Germany

MEN Mikro Elektronik GmbH
 Neuwieder Straße 5-7
 90411 Nuremberg
 Phone +49-911-99 33 5-0
 Fax +49-911-99 33 5-901
 E-mail info@men.de
 www.men.de

France

MEN Mikro Elektronik SA
 18, rue René Cassin
 ZA de la Châtelaine
 74240 Gaillard
 Phone +33 (0) 450-955-312
 Fax +33 (0) 450-955-211
 E-mail info@men-france.fr
 www.men-france.fr

USA

MEN Micro, Inc.
 24 North Main Street
 Ambler, PA 19002
 Phone (215) 542-9575
 Fax (215) 542-9577
 E-mail sales@menmicro.com
 www.menmicro.com

Diamond Point International (Europe) Ltd

Suite 13, Ashford House, Beaufort Court
 Sir Thomas Longley Road, Rochester, Kent, ME2 4FA, UK
 Phone 01634 300900 - Fax 01634 722398 - Email sales@dpie.com – Web www.dpie.com www.dpieshop.com



www.dpie.com

The date of issue stated in this data sheet refers to the Technical Data only. Changes in ordering information given herein do not affect the date of issue.

All brand or product names are trademarks or registered trademarks of their respective holders.

Information in this document has been carefully checked and is believed to be accurate as of the date of publication; however, no responsibility is assumed for inaccuracies. MEN Mikro Elektronik accepts no liability for consequential or incidental damages arising from the use of its products and reserves the right to make changes on the products herein without notice to improve reliability, function or design. MEN Mikro Elektronik does not assume any liability arising out of the application or use of the products described in this document.

The products of MEN Mikro Elektronik are not suited for use in nuclear reactors and for application in medical appliances used for therapeutical purposes.

Application of MEN's products in such plants is only possible after the user has precisely specified the operation environment and after MEN Mikro Elektronik has consequently adapted and released the product.

Copyright © 2008 MEN Mikro Elektronik GmbH. All rights reserved.



mikro elektronik
 gmbh • nürnberg