

G213 - 3U CompactPCI® Serial XMC Carrier



- 4 HP CompactPCI® Serial
- Peripheral card for proposed PICMG CPCI-S.0 (under dev.)
- 1 XMC slot (PCIe® 2 x4 links)
- or 1 PMC slot (32/64 bits, 33/66/133MHz, PCI-X)
- -40 to +85°C screened

The G213 is a universal 3U XMC or PMC carrier board for I/O with high speed requirements in a CompactPCI® Serial environment. It allows to add I/O functions to a CompactPCI® Serial or hybrid system in a flexible way.

The G213 offers instant access to the already existing high-speed XMC modules on the market as well as to the huge range of legacy PMC modules of all different speed types. It supports efficient modular system extension with I/O that reaches from typical computer functions like communication or graphics up to the

whole world of industrial functions with analog and binary I/O, measurement, instrumentation, motion control, or fieldbus interfaces.

The G213 is screened for -40 to +85°C operation temperature and prepared for conformal coating in order to be used also in harsh and mobile environments. The final environmental qualification depends on the respective cards used on the carrier.

Technical Data

XMC Slot

- Compliant with XMC standard VITA 42.3-2006
- Two PCI Express® links with four lanes each on J15 and J16

PMC Slot

- Via PCI Express® to PCI-X Bridge
 - Support of PCI-X or PCI local bus specification 2.2
 - Support of one PCI Express® link with up to four lanes
- 32/64-bit, 33/66MHz
- PCI-X, 133MHz

CompactPCI® Serial

- Compliance with CompactPCI® Serial PICMG CPCI-S.0 Specification (proposed standard currently under development)
- Peripheral slot

Electrical Specifications

- Supply voltage/power consumption:
 - +12V (-5%/+5%), < 400 mA

Mechanical Specifications

- Dimensions: standard single Eurocard
- Front panel: 4HP with ejector
- Weight: 120g (without mezzanine card)

Environmental Specifications

- Temperature range (operation):
 - -40..+85°C (screened)
 - Airflow: min. 10m³/h
- Temperature range (storage): -40..+85°C
- Relative humidity (operation): max. 95% non-condensing
- Relative humidity (storage): max. 95% non-condensing
- Altitude: -300m to + 3,000m
- Shock: 15g/11ms
- Bump: 10g/16ms
- Vibration (sinusoidal): 2g/10..150Hz
- Conformal coating on request

MTBF

- MTBF: tbd @ 40°C according to IEC/TR 62380 (RDF 2000)

Safety

- PCB manufactured with a flammability rating of 94V-0 by UL recognized manufacturers

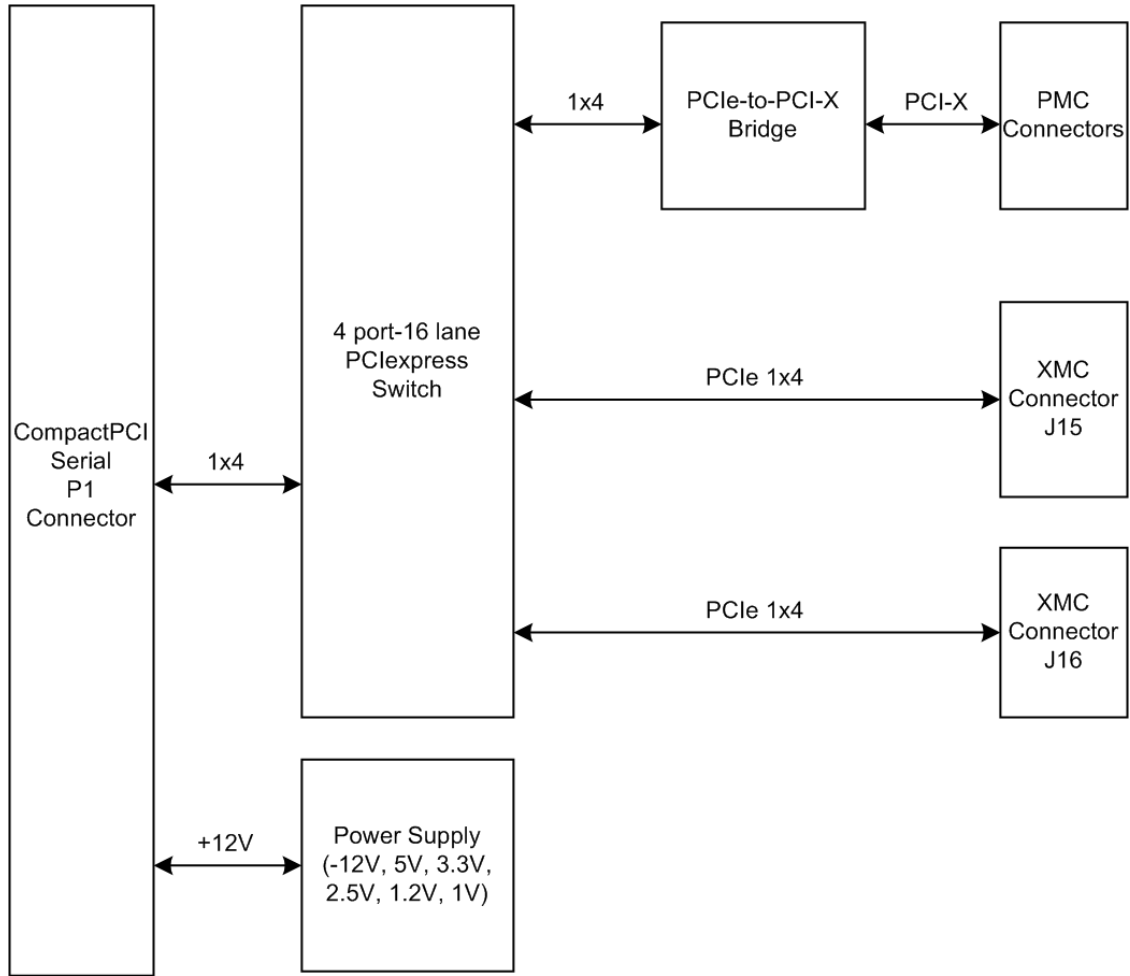
EMC

- Tested according to EN 55022 (radio disturbance), IEC1000-4-2 (ESD) and IEC1000-4-4 (burst)

Software Support

- XMC and PMC drivers as supported

Diagram



Ordering Information

Standard Hardware

02G213-00 PMC/XMC carrier board, -40..+85°C screened

For the most up-to-date ordering information and direct links to other data sheets and downloads, see the G213 online data sheet under » www.men.de.

Germany

MEN Mikro Elektronik GmbH
Neuwieder Straße 5-7
90411 Nuremberg
Phone +49-911-99 33 5-0
Fax +49-911-99 33 5-901
E-mail info@men.de
www.men.de

France

MEN Mikro Elektronik SA
18, rue René Cassin
ZA de la Châtelaine
74240 Gaillard
Phone +33 (0) 450-955-312
Fax +33 (0) 450-955-211
E-mail info@men-france.fr
www.men-france.fr

USA

MEN Micro, Inc.
24 North Main Street
Ambler, PA 19002
Phone (215) 542-9575
Fax (215) 542-9577
E-mail sales@menmicro.com
www.menmicro.com

The date of issue stated in this data sheet refers to the Technical Data only. Changes in ordering information given herein do not affect the date of issue.

All brand or product names are trademarks or registered trademarks of their respective holders.

Information in this document has been carefully checked and is believed to be accurate as of the date of publication; however, no responsibility is assumed for inaccuracies. MEN Mikro Elektronik accepts no liability for consequential or incidental damages arising from the use of its products and reserves the right to make changes on the products herein without notice to improve reliability, function or design. MEN Mikro Elektronik does not assume any liability arising out of the application or use of the products described in this document.

The products of MEN Mikro Elektronik are not suited for use in nuclear reactors or for application in medical appliances used for therapeutical purposes.

Application of MEN's products in such plants is only possible after the user has precisely specified the operation environment and after MEN Mikro Elektronik has consequently adapted and released the product.

Copyright © 2010 MEN Mikro Elektronik GmbH. All rights reserved.