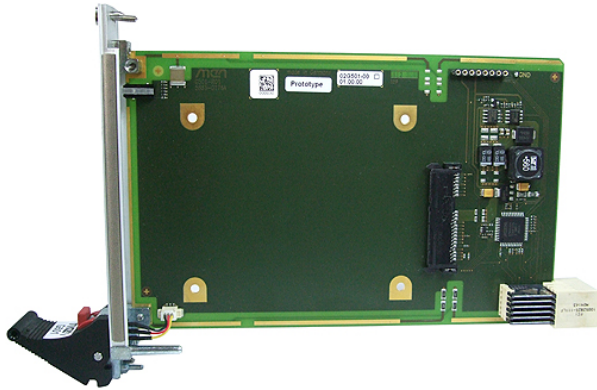


# G501 - 3U CompactPCI® Serial SATA HDD/SSD Shuttle



- 4 HP CompactPCI® Serial
- Peripheral card for proposed PICMG CPCI-S.0 (under dev.)
- Hard disk drive or solid state drive shuttle
- 2.5" SATA HDD/SSD slot
- Four status LEDs
- -40 to +85°C with qualified components
- Compliant with EN 50155

The G501 is a CompactPCI® Serial hard disk drive carrier board. It is designed to carry a 2.5" SATA hard disk drive (RAID level depending on the CPU) or a solid state drive.

The unit's front panel features LEDs that signalize the board's SGPIO status while a fourth indicates the

status of the internal controller's power supply.

## Technical Data

### Mass Storage

- Serial ATA (SATA)
  - One port for onboard 2.5" hard disk drive or solid state drive
  - Transfer rates depending on HDD/SSD
  - RAID level depends on CPU board

### External Interfaces

- 4 LEDs at front panel
  - 3 for the SGPIO status
  - 1 for the internal controller's supply voltage status

### Electrical Specifications

- Supply voltage
  - +12V (-3%/+5%), power consumption depending on HDD/SSD
- MTBF: tbd. @ 40°C (derived from MIL-HDBK-217F)

### Mechanical Specifications

- Dimensions: conforming to the proposed PICMG CPCI-S.0 specification (under dev.) for 3U boards
- Weight: 125 g (without HDD/SSD)

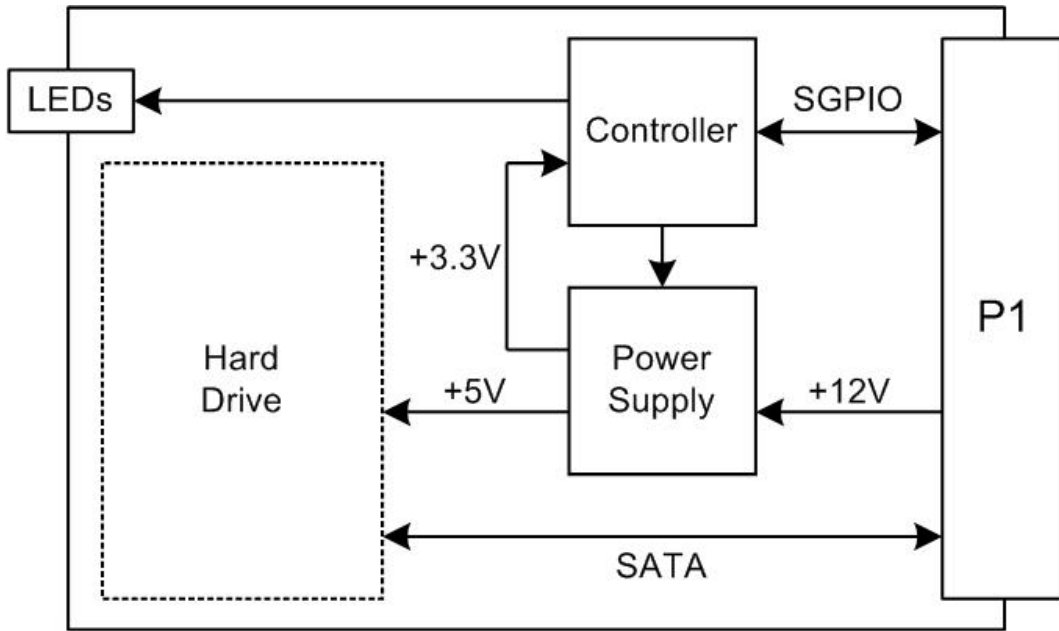
### Environmental Specifications

- Temperature range (operation):
  - -40..+85°C (depending on HDD or SSD; please refer to the HDD/SSD specifications for possible limits)
  - Airflow: min. 10m<sup>3</sup>/h
- Temperature range (storage): -40..+85°C
- Relative humidity (operation): max. 95% non-condensing
- Relative humidity (storage): max. 95% non-condensing
- Altitude: -300m to + 3,000m
- Shock: 15g/11ms
- Bump: 10g/16ms
- Vibration (sinusoidal): 2g/10..150Hz

### Safety

- PCB manufactured with a flammability rating of 94V-0 by UL recognized manufacturers

**Diagram**



## Configuration & Options

### Standard Configurations

Article No.	Mass Storage	Operation Temperature
02G501-00	"1 slot for 2.5" HDD or SSD"	-40..+85°C

### Options

#### Mechanical Specifications

- Hot plug

## Ordering Information

### Standard Hardware

**02G501-00** 1 slot for 2.5" SATA HDD or SSD, -40..+85°C with qualified components (shuttle only)

### Memory

**0710-0018** SATA150 hard disk 2.5" 60GB, 5400rpm, 8MB cache, NCQ, +5..+55°C (incl. mounting screws)

**0710-0025** SATA hard disk 2.5", 80 GB, 5400 rpm, 24h/7d, -30..+85°C; N.B.: between -30°C to -20°C power-on time is 12 s typ. (incl. stand-offs and mounting screws)

**0754-0002** SSD SATA II 32 GB, 2.5", MLC, 0..+70°C

**0754-0003** SSD SATA 80 GB, 2.5", MLC, 0..+70°C

**0754-0004** SSD SATA 8 GB, 2.5", SLC, -40..+85°C

### Documentation

**20G501-00** G501 User Manual

For the most up-to-date ordering information and direct links to other data sheets and downloads, see the G501 online data sheet under » [www.men.de](http://www.men.de).

### Germany

MEN Mikro Elektronik GmbH  
Neuwieder Straße 5-7  
90411 Nuremberg  
Phone +49-911-99 33 5-0  
Fax +49-911-99 33 5-901  
E-mail [info@men.de](mailto:info@men.de)  
[www.men.de](http://www.men.de)

### France

MEN Mikro Elektronik SA  
18, rue René Cassin  
ZA de la Châtelaine  
74240 Gaillard  
Phone +33 (0) 450-955-312  
Fax +33 (0) 450-955-211  
E-mail [info@men-france.fr](mailto:info@men-france.fr)  
[www.men-france.fr](http://www.men-france.fr)

### USA

MEN Micro, Inc.  
24 North Main Street  
Ambler, PA 19002  
Phone (215) 542-9575  
Fax (215) 542-9577  
E-mail [sales@menmicro.com](mailto:sales@menmicro.com)  
[www.menmicro.com](http://www.menmicro.com)

*The date of issue stated in this data sheet refers to the Technical Data only. Changes in ordering information given herein do not affect the date of issue.*

*All brand or product names are trademarks or registered trademarks of their respective holders.*

*Information in this document has been carefully checked and is believed to be accurate as of the date of publication; however, no responsibility is assumed for inaccuracies. MEN Mikro Elektronik accepts no liability for consequential or incidental damages arising from the use of its products and reserves the right to make changes on the products herein without notice to improve reliability, function or design. MEN Mikro Elektronik does not assume any liability arising out of the application or use of the products described in this document.*

*The products of MEN Mikro Elektronik are not suited for use in nuclear reactors or for application in medical appliances used for therapeutical purposes.*

*Application of MEN's products in such plants is only possible after the user has precisely specified the operation environment and after MEN Mikro Elektronik has consequently adapted and released the product.*

*Copyright © 2010 MEN Mikro Elektronik GmbH. All rights reserved.*