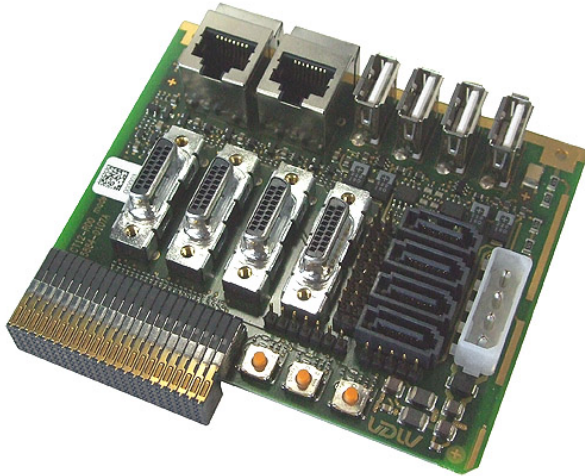


CT12 - 3U CompactPCI® PlusIO Transition Module



- **CompactPCI® PlusIO PICMG 2.30**
- **3U / 100x80 mm standard format**
- **2 Gigabit Ethernet**
- **4 USB 2.0**
- **4 PCIe® x1**
- **4 SATA**
- **-40 to +85°C qualified**

The CT12 is a 3U CompactPCI® transition module for use in combination with MEN's PICMG 2.30-based single-board computers.

It is plugged onto J2 of the CompactPCI® backplane system slot from the rear side and leads the rear-panel serial I/O signals to standard connectors.

The signals are two Gigabit Ethernet, four PCI

Express® x1 links, four USB and four SATA interfaces as defined by the PICMG 2.30 CompactPCI® PlusIO specification.

In addition the board is equipped with a +5V connector for supplying the CT12.

Technical Data

Peripheral Connections

- SATA
 - 4 ports on 7-pin SATA connectors
 - For HDD connection with ribbon cables
- USB
 - 4 host ports on Series A connectors
- Gigabit Ethernet
 - 2 RJ45 connectors
 - 1500 Vrms isolation
- PCI Express®
 - 4 x1 links on 18-pin PCI Express® cable connectors

Electrical Specifications

- Supply voltage/power consumption:
 - +5V 4-pin power supply connector

Mechanical Specifications

- Dimensions: 100x80 mm conforming to CompactPCI® specification for 3U boards
- Weight: tbd

Environmental Specifications

- Temperature range (operation):
 - -40..+85°C (qualified components)
 - Airflow: min. 1.5m/s
- Temperature range (storage): -40..+85°C
- Relative humidity (operation): max. 95% non-condensing
- Relative humidity (storage): max. 95% non-condensing
- Altitude: -300m to + 3,000m
- Shock: 15g/11ms
- Bump: 10g/16ms
- Vibration (sinusoidal): 1g/10..150Hz
- Conformal coating on request

MTBF

- tbd @ 40°C according to IEC/TR 62380 (RDF 2000)

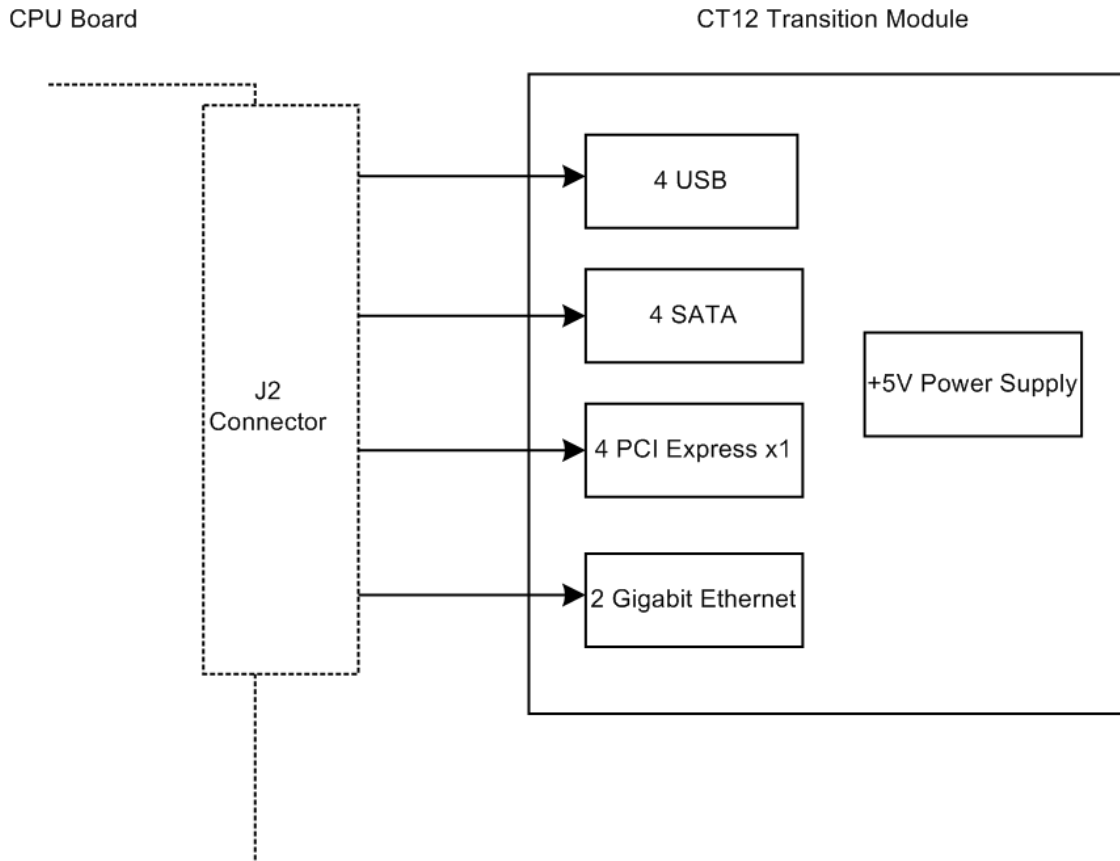
Safety

- PCB manufactured with a flammability rating of 94V-0 by UL recognized manufacturers

EMC

- Conforming to EN 55022 (radio disturbance), IEC1000-4-2 (ESD) and IEC1000-4-4 (burst)

Diagram



Configuration & Options

Standard Configurations

Article No.	Ethernet	USB	SATA	PCIe®
08CT12-00	2	4	4	4

Options

Mechanical

- Front panel for mechanical fixing

Please note that some of these options may only be available for large volumes. Please ask our sales staff for more information.

Ordering Information

Standard Hardware

08CT12-00 CompactPCI PlusIO rear transition module
3U/80mm, 2 Ethernet, 4 USB, 4 SATA, 4 PCIe
x1, -40°C..+85°C qualified

Documentation

20CT12-00 CT12 User Manual

For the most up-to-date ordering information and direct links to other data sheets and downloads, see the CT12 online data sheet under » www.men.de.

Germany

MEN Mikro Elektronik GmbH
Neuwieder Straße 5-7
90411 Nuremberg
Phone +49-911-99 33 5-0
Fax +49-911-99 33 5-901
E-mail info@men.de
www.men.de

France

MEN Mikro Elektronik SA
18, rue René Cassin
ZA de la Châtelaine
74240 Gaillard
Phone +33 (0) 450-955-312
Fax +33 (0) 450-955-211
E-mail info@men-france.fr
www.men-france.fr

USA

MEN Micro, Inc.
24 North Main Street
Ambler, PA 19002
Phone (215) 542-9575
Fax (215) 542-9577
E-mail sales@menmicro.com
www.menmicro.com

The date of issue stated in this data sheet refers to the Technical Data only. Changes in ordering information given herein do not affect the date of issue. All brand or product names are trademarks or registered trademarks of their respective holders.

Information in this document has been carefully checked and is believed to be accurate as of the date of publication; however, no responsibility is assumed for inaccuracies. MEN Mikro Elektronik accepts no liability for consequential or incidental damages arising from the use of its products and reserves the right to make changes on the products herein without notice to improve reliability, function or design. MEN Mikro Elektronik does not assume any liability arising out of the application or use of the products described in this document.

The products of MEN Mikro Elektronik are not suited for use in nuclear reactors or for application in medical appliances used for therapeutical purposes. Application of MEN's products in such plants is only possible after the user has precisely specified the operation environment and after MEN Mikro Elektronik has consequently adapted and released the product.

Copyright © 2010 MEN Mikro Elektronik GmbH. All rights reserved.