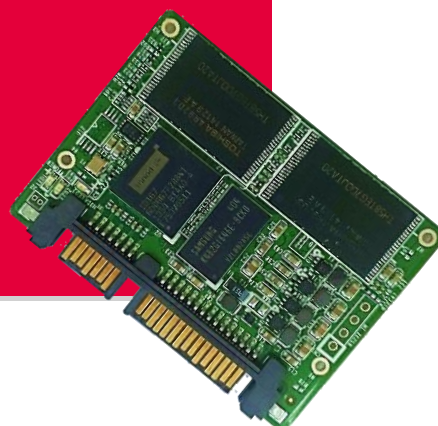


Datasheet

SATA Slim 3MG-P series

- SATA III solution for industrial field
- iSMART disk health monitoring
- Intelligent error recovery system
- Excellent data transfer speed
- Zero mechanical interference
- Compatible with JEDEC MO-297 standard



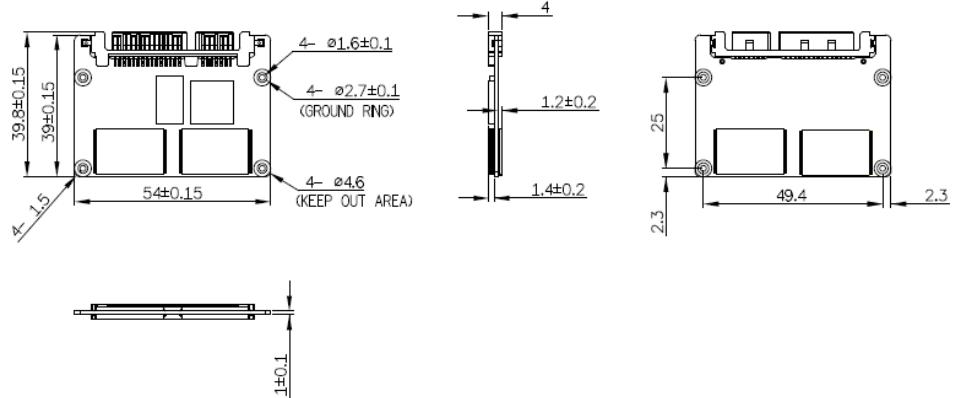
Introduction

Innodisk SATA Slim 3MG-P is SATA III 6Gb/s Flash based disk, which designed with standard SATA interface (7+15 SATA connector), and compatible with JEDEC MO-297 standard. With its smaller dimension, SATA Slim 3MG-P is an alternative solution of 2.5" SSD for those embedded system that may have mechanical and space concerns. Innodisk SATA Slim 3MG-P operates under SATA III (6.0Gb/s) interface with excellent performance and reliability making it the ideal solution for a variety of applications, including embedded system, and industrial field.

SATA Slim 3MG-P series Drawing

Contact us for more information
about the SATA Slim 3MG-P

Innodisk is a service-driven provider of industrial embedded flash and DRAM storage products and technologies, with a focus on the industrial/embedded, aerospace and defense, and cloud computing industries.



Specifications

Interface	SATA III
Flash Type	MLC
Capacity	8GB~256GB
Max. Channels	4
Sequential R/W (MB/sec, max.)	460 / 240
Max. Power Consumption	1.6 W (5V x 310 mA)
Thermal Sensor	ST- Optional/ WT- Default
External DRAM Buffer	√
H/W Write Protect	-
Pin7 Power	-
ATA Security	√
S.M.A.R.T.	√
Dimension (WxLxH)	54.0 X 39.0 X 4.0 mm
Environment	Vibration: 20G @ 7~2000Hz Shock: 1500G @ 0.5ms Storage Temperature: -55°C ~ +95°C MTBF: 3 million hours

Headquarters (Taiwan)

5F., No.237, Sec. 1, Datong Rd.,
Xizhi Dist., New Taipei City 221,
Taiwan (R.O.C.)
Tel: +886-2-77033000
Email: sales@innodisk.com

Branch Offices:

USA
usasales@innodisk.com
+1-510-770-9421
Europe
eusales@innodisk.com
+31-040-282-1818
Japan
jpsales@innodisk.com
+81-45-594-7581
China
sales_cn@innodisk.com
+86-755-21673689
www.innodisk.com

© 2014 Innodisk Corporation.
All right reserved. Specifications
are subject to change without
prior notice.

Ordering Information

20140806

Operation Temp.	8GB	16GB	32GB	64GB	128GB	256GB
Standard Grade (0°C ~ +70°C)	DGSLM-08GD67RC3SC	DGSLM-16GD67RC3DC	DGSLM-32GD67RC3QC	DGSLM-64GD67RC3QC	DGSLM-A28D67RC3QC	DGSLM-B56D67RC1QC
Industrial Grade (-40°C ~ +85°C)	DGSLM-08GD67RW3SC	DGSLM-16GD67RW3DC	DGSLM-32GD67RW3QC	DGSLM-64GD67RW3QC	DGSLM-A28D67RW3QC	DGSLM-B56D67RW1QC

innodisk

www.innodisk.com